

INSTALLATION AND ASSEMBLY INSTRUCTIONS

XLCS & XLCM Series

WARNING: Failure to follow instructions could result in damage to product and void warranties!

WARNING: Risk of fire or electrical shock. Disconnect power before installing or servicing.

WARNING: Verify the existing input voltage and ensure it matches input rating on luminaire's product label, located on inside of access cover.

WARNING: Before proceeding, read all instructions carefully to ensure proper and safe installation.

WARNING: Warranty is void if luminaire is tilted above 15 degrees from horizontal!

IMPORTANT: This product must be installed in accordance with the applicable installation code by a person familiar with the construction and operation of the product and the hazards involved.

These tools are required: Size T-20 Torx driver, 3/4" socket & ratchet.

LUMINAIRE PREPARATION

1. Remove top insert and place insert on work surface to protect finish.
2. Place luminaire - lens facing upward - onto work surface.
3. Remove access panel by turning access cover screw CCW (counterclockwise). See Figure 1.

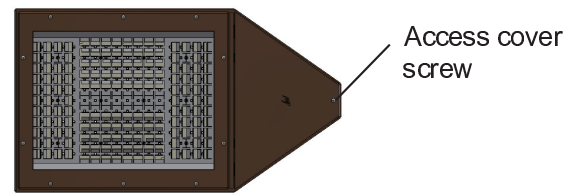


FIGURE 1

REFLECTOR IDENTIFICATION

4. Match the reflector in the luminaire with the corresponding reflector type. See Figures 2 and 3.

IMPORTANT: REFLECTORS ARE NOT ACCESSIBLE OR FIELD ROTATABLE!

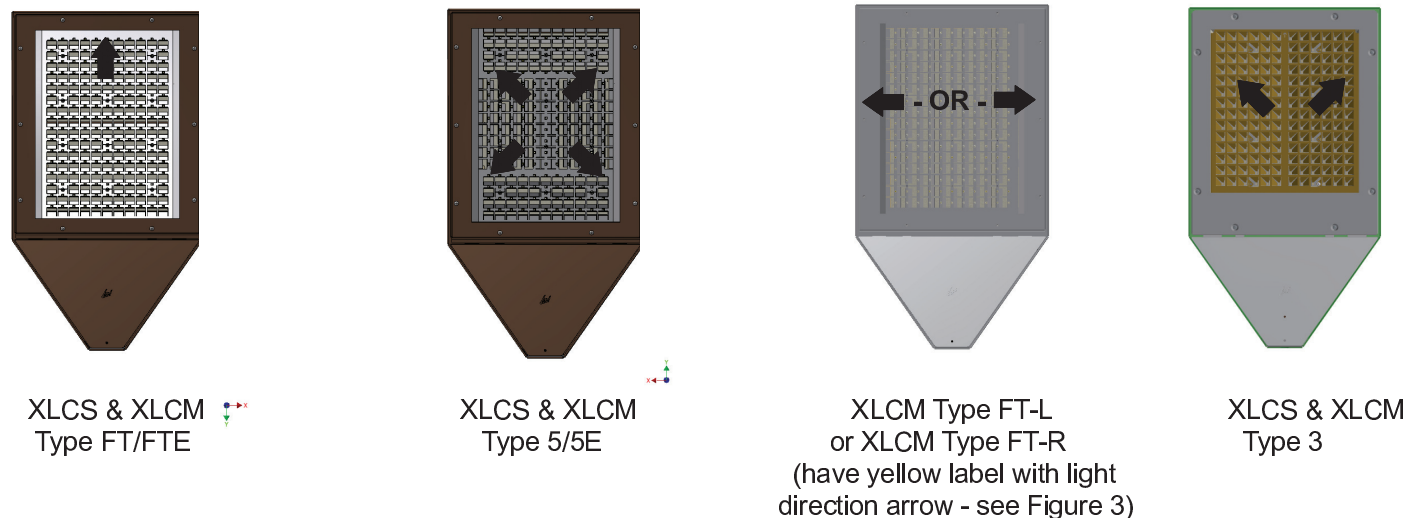
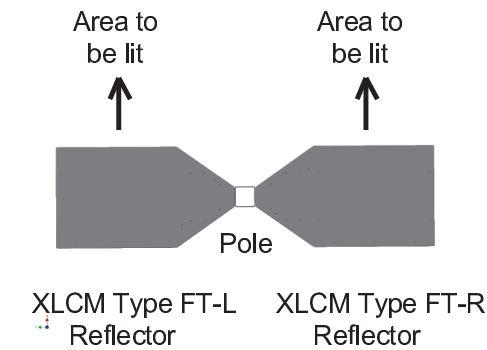


FIGURE 2
(Arrows indicate light output direction)



XLCS & XLCM Series, cont'd.

IMPORTANT: XLCM luminaires equipped with Type FT-L and FT-R reflectors will have a yellow label showing light beam direction. Compare luminaire light beam direction label to the site layout drawing to ensure luminaire is installed on correct poles, and in the correct orientation. **DO NOT REMOVE YELLOW LABEL UNTIL READY TO ATTACH TO POLE!** See Figure 3 below.



EXAMPLES OF XLCM D180 POLE ASSEMBLY WITH FACTORY PRE-ROTATED OPTICS
FIGURE 3

POLE PREPARATION

IMPORTANT!!! SELECT WHICH POLE PREPARATION STEPS PERTAIN TO YOUR PARTS:

- A. Directly to Square Pole -Page 2
- B. Directly to Round Pole -Page 2
- C. Using Extension Arm on Square Pole - Page 3
- D. Using Extension Arm on Round Pole -Page 3
- E. Using Optional Wall Mount Plate - Page 4

A. DIRECTLY TO SQUARE POLE - FIGURE 4

1. Lay pole on raised surface, protecting finish with soft cloth.
2. Locate hardware kit shipped with luminaire.
3. With nut plate inside pole, thread luminaire mounting studs thru top and bottom pole holes, then into nut plate. See Figure 4.
4. Proceed to Page 3, ASSEMBLY OF LUMINAIRE TO POLE AND EXTENSION ARMS.

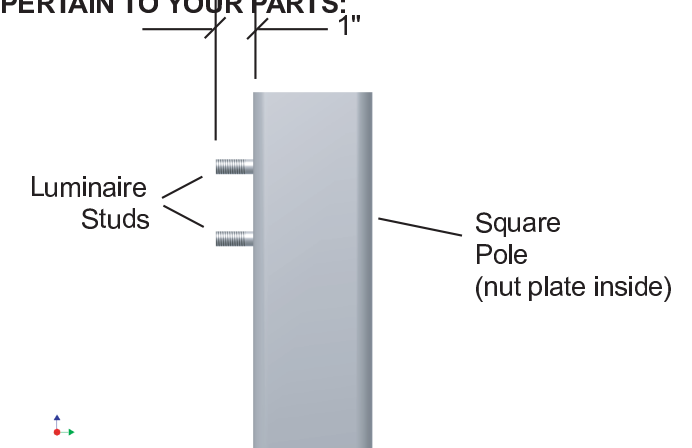


FIGURE 4

B. DIRECTLY TO ROUND POLE - FIGURE 5

1. Lay pole on raised surface, protecting finish with soft cloth.
2. Locate hardware kit shipped with luminaire.
3. Locate round pole adaptor (shipped separately).
4. With nut plate inside pole, thread luminaire mounting studs thru round pole adaptor, then thru top and bottom pole holes, then into nut plate. See Figure 5.
5. Proceed to Page 3, ASSEMBLY OF LUMINAIRE TO POLE AND EXTENSION ARMS.

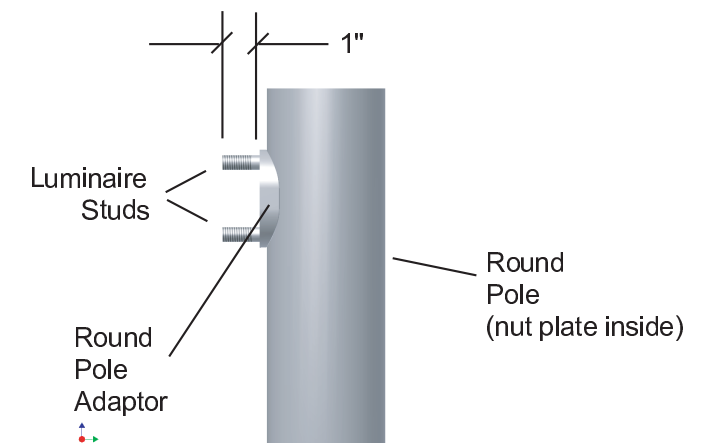


FIGURE 5



XLCS & XLCM Series, cont'd.

POLE PREPARATION, Cont'd.

C. USING EXTENSION ARM ON SQUARE POLE - FIGURE 6

1. Lay pole on raised surface, protecting finish with soft cloth.
2. Locate extension arm (and hardware), shipped separately.
3. With nut plate inside pole, thread extension arm studs thru top and bottom extension arm holes, then thru top and bottom pole holes, then into nut plate. See Figure 6.
4. Proceed to Figure 8 below, ASSEMBLY OF LUMINAIRE TO POLE AND EXTENSION ARMS.

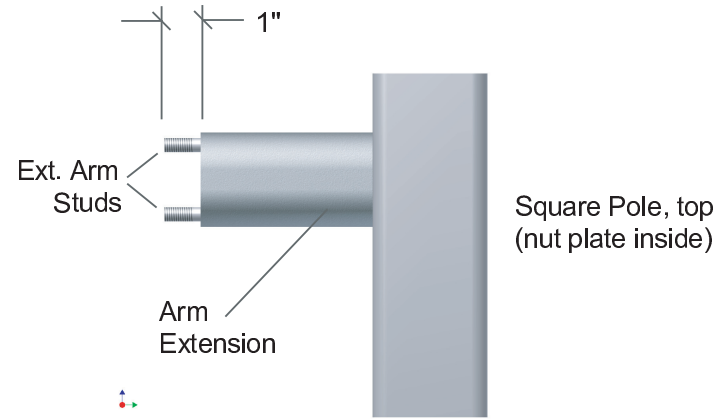


FIGURE 6

D. USING EXTENSION ARM ON ROUND POLE - FIGURE 7

1. Lay pole on raised surface, protecting finish with soft cloth.
2. Locate extension arm (and hardware), shipped separately.
3. Locate round pole adaptor, shipped separately.
4. With nut plate inside pole, thread extension arm studs thru top and bottom extension arm holes, then thru top and bottom pole adaptor holes, then thru top and bottom pole holes, then into nut plate. See Figure 7.
5. Proceed to Figure 8 below, ASSEMBLY OF LUMINAIRE TO POLE, EXTENSION ARMS.

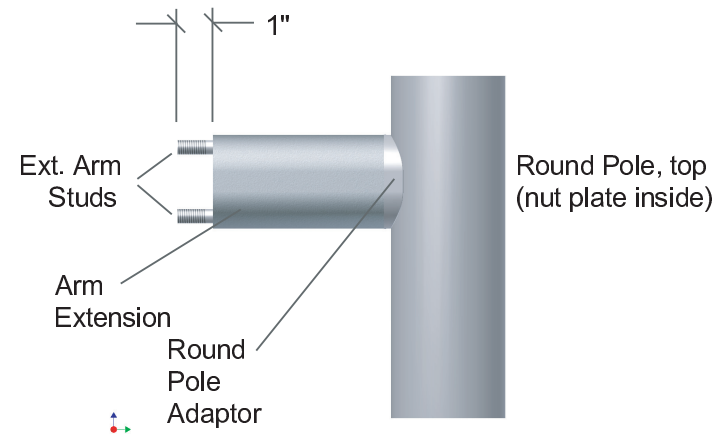


FIGURE 7

ASSEMBLY OF LUMINAIRE TO POLE AND EXTENSION ARMS - Figure 8

1. Feed luminaire wires (white, black, and green/yellow) from back of luminaire through center (7/8" dia.) hole in pole.
2. Position luminaire over studs. Take care to not pinch luminaire wires. See Figure 8.
2. Secure luminaire to studs with supplied locking hex washer nut. To ensure level luminaire, tighten upper nut first, then lower nut, (tighten each to 25 ft-lbs.) making sure luminaire and arm are "square" to pole.
4. Proceed to Page 4, WIRING CONNECTIONS.

INSTALLATION SUGGESTION: If luminaire has YELLOW light beam direction label, remove label and place on pole baseplate. Keep orientation of label arrow correct. This will help ensure the pole assembly is oriented to the anchor bolts correctly.

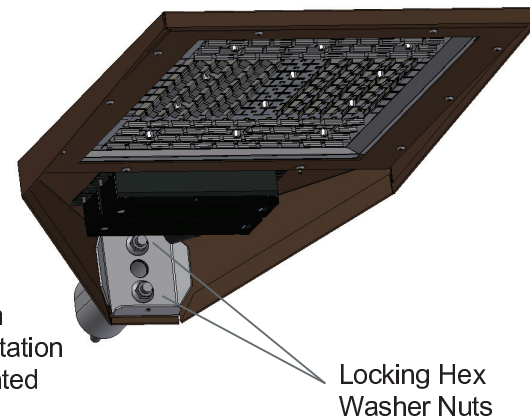


FIGURE 8

Installation Questions?
Call LSI Field Service Department at:
1-800-436-7800 Ext. 3300
Fax: 1-877-861-1368

XLCS & XLCM Series, cont'd.

E. USING OPTIONAL WALL MOUNT PLATE - FIGURE 9

1. Locate wall plate with fastener kit, shipped separately.
2. Confirm that wall surface / structure is capable of supporting luminaire.
3. Attach wall plate to wall over J-box (not supplied) using suitable fasteners (not supplied). Feed primary wiring thru wall plate.
4. Attach luminaire to wall plate using supplied fasteners from wall plate kit. Take care to not pinch luminaire wires.
5. Be sure luminaire is "square" to wall plate. Tighten each bolt to 25 ft-lbs.
6. Proceed below to WIRING CONNECTIONS.

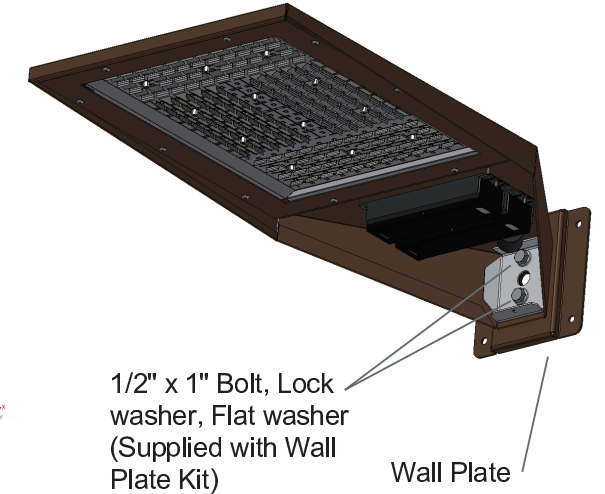


FIGURE 9

WIRING CONNECTIONS

WARNING: Wiring to be performed by qualified electrician! Wire per National Electrical Code and local code, as shown in Figure 10.

NOTE: XLCS & XLCM models is supplied with leads for connection to supply wiring - use Figure 10 for wiring.

IMPORTANT WIRING INFORMATION - Risk of electrical shock!

- * Make certain supply wiring is not "Hot" before wiring luminaire.
- * Make certain supply voltage corresponds to luminaire voltage, as marked on luminaire label, located on inside of access cover.

COMPLETING LUMINAIRE ASSEMBLY

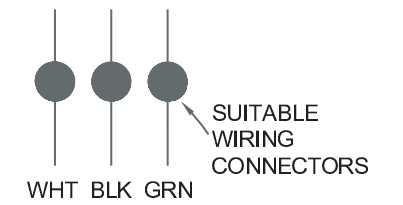
1. Reinstall access cover, and secure by turning access cover screw CW (clockwise).
2. Install pole cap.

NOTE: Pole must be pointed in right direction. Reference Light Beam Direction Arrow label in center of luminaire, and match to site layout drawing. (See installation suggestion at left.) For reference, make note of light beam direction arrow relative to handhole location near pole base. Be sure to REMOVE the Light Beam Direction Arrow label before raising pole.

3. The luminaire and pole assembly is now ready for installation to anchor bolts. When erecting pole, use belts, slings or ropes - do NOT use chain or cable. Do not attach to luminaire or arm!
4. Set and level anchor bolts using nuts and washers provided.

SUPPLY WIRING

NEU LINE GRD.



WHT BLK GRN
LUMINAIRE LEADS

FIGURE 10

